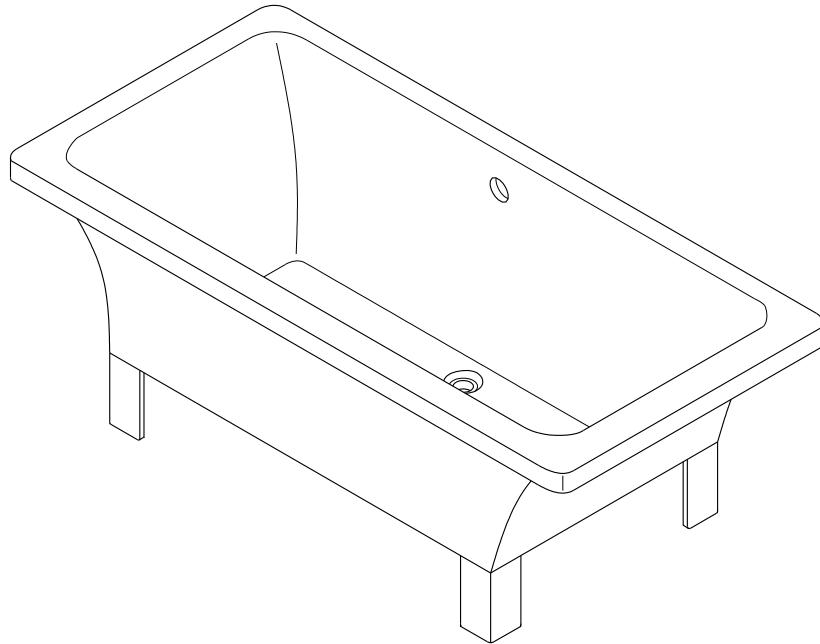


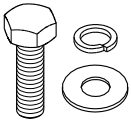
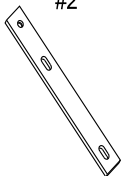
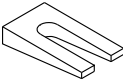
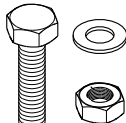
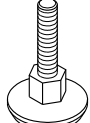
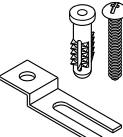
KINGSTON BRASS

THE TRADITION OF FINE BRASS

Acrylic Bath Tub Installation



Parts:

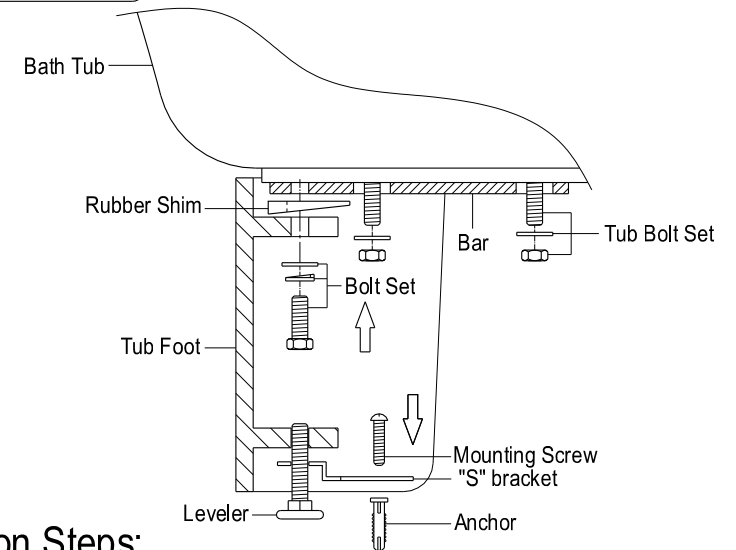
Bolt Set	Bar	Rubber Shim	Tub Bolt Set (installed on tub already)	Leveler	"S" bracket & Mounting Screw & Anchor
#1	#2	#3	#4	#5	
					
4 Pcs	4 Pcs	4 Pcs	8 Pcs	4 Pcs	4 Pcs

www.kingstonbrass.com
 TOLL-FREE CUSTOMER SERVICE: 1-877-2-KBRASS
 TECHNICAL SUPPORT E-mail: service@kingstonbrass.com
 12775 Reservoir Street, Chino, CA91710

TOOLS REQUIRED



Adjustable Wrench



Installation Steps:

- Step 1: Turn tub over and set on non-abrasive mat. Loosen the nuts and washers secured on the insert bolts of the tub.
 - Step 2: Locate the flat metal bar (#2), bolt set (#1), and square rubber shim (#3).
 - Step 3: Set the square rubber shim (#3) on top of the flat metal bar (#2) where there is a circular screw hole. Align the tub foot with the rubber shim and hole and screw in place with the bolt set (#1).
- NOTE:** The bolt set screws in order with flat metal washer first then ring washer.
- Step 4: Unscrew the nut and metal washer from the tub bolt inserts (#4). Place the flat metal bar on the bolt inserts in the desired location and tighten in place.
 - Step 5: Repeat steps 2 & 3 for the other three feet and make sure all bolts and nuts are tightened.
 - Step 6: Insert metal "S" bracket into tub feet leveler (#5) and secure the leveler to the bottom of each tub feet.
 - Step 7: Make sure all the bolts and nuts are tightened on the tub feet and bar.
 - Step 8: Turn the tub over carefully as not to damage finish or floor surface.
 - Step 9: Once tub has been properly positioned and you are positive it will not be moved. Swivel the attachment "S" brackets into the desired position. These brackets are designed to secure the tub to the floor and they can be swivel to any position. Insert anchors if needed.
 - Step 10: Use adjustment bolts to level tub and insure a wobble free installation.

Cleaning

Clean with a damp cloth only.
 Avoid using metal or abrasive polishes.